



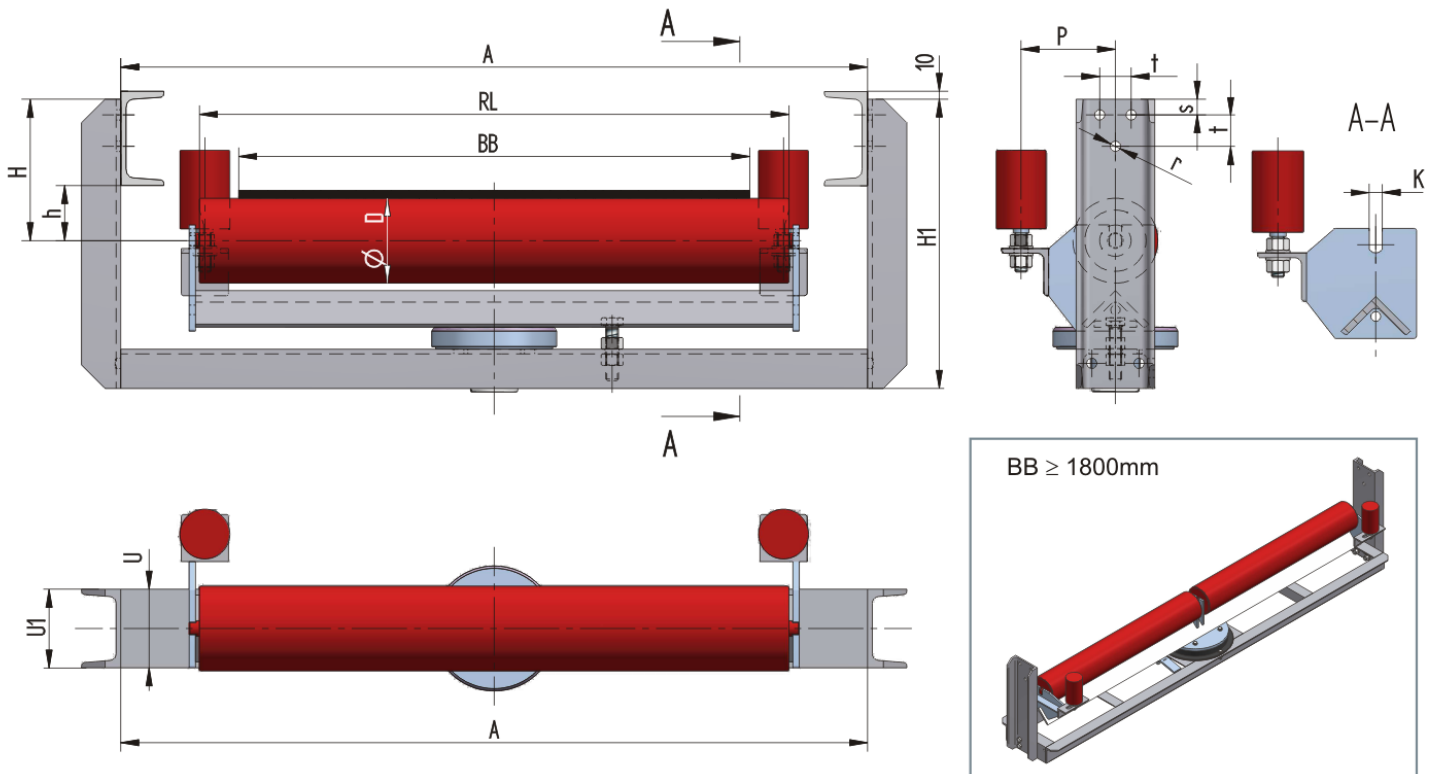
FÖRDERANLAGEN - BELT CONVEYORS GTK PÁSOVÉ DOPRAVNÍKY

GTK, spol s r.o., CZ-687 07 TUPESY 116, okres Uherské Hradiště, Česká republika

Tel.: +420 572 520 880-9, Fax: +420 572 520 899

Idler frames

Version:



BB (mm)	D (mm)	RL (mm)	U (mm)	U1 (mm)	A (mm)	h (mm)	H (mm)	H1 (mm)	t (mm)	s (mm)	r (mm)	P (mm)	Artikl
400	63	500	U100	U100	700	70	160	333	40	20	13	115	LESU04000070-063
400	89	500	U100	U100	700	70	160	343	40	20	13	115	LESU04000070-089
400	108	500	U100	U100	700	70	160	353	40	20	13	115	LESU04000070-108
500	63	600	U100	U100	800	70	160	333	40	20	13	115	LESU05000070-063
500	89	600	U100	U100	800	70	160	343	40	20	13	115	LESU05000070-089
500	108	600	U100	U100	800	70	160	353	40	20	13	115	LESU05000070-108
650	63	750	U100	U100	950	70	160	333	40	20	13	115	LESU06500070-063
650	89	750	U100	U100	950	70	160	343	40	20	13	115	LESU06500070-089
650	108	750	U100	U100	950	70	160	353	40	20	13	115	LESU06500070-108
800	89	950	U100	U100	1150	70	160	353	40	20	13	115	LESU08000070-089
800	108	950	U100	U100	1150	70	160	363	40	20	13	115	LESU08000070-108
800	133	950	U100	U100	1150	100	210	423	40	20	13	115	LESU08000100-133
1000	89	1150	U100	U100	1350	70	160	353	40	20	13	115	LESU10000070-089
1000	108	1150	U100	U100	1350	70	160	363	40	20	13	115	LESU10000070-108
1000	133	1150	U100	U100	1350	100	210	423	40	20	13	115	LESU10000100-133
1000	159	1150	U100	U100	1350	100	210	438	40	20	13	115	LESU10000100-159
1200	108	1400	U120	U120	1600	70	180	393	50	25	17	140	LESU12000070-108

GTK spol. s r.o., CZ-68707 Tupesy 116, Czech Republik, Tel.: +420 572 520 880-9, Fax: +420 520 899
e-mail: gtk@gktupesy.cz, www.gktupesy.cz





FÖRDERANLAGEN - BELT CONVEYORS GTK PÁSOVÉ DOPRAVNÍKY

GTK, spol s r.o., CZ-687 07 TUPESY 116, okres Uherské Hradiště, Česká republika

Tel.: +420 572 520 880-9, Fax: +420 572 520 899

1200	133	1400	U120	U120	1600	100	210	433	50	25	17	140	LESU12000100-133
1200	159	1400	U120	U120	1600	100	210	448	50	25	17	140	LESU12000100-159
1200	89	1400	U120	U120	1600	70	180	383	50	25	17	140	LESU12000070-089
1400	108	1600	U140	U140	1800	70	180	425	50	25	17	140	LESU14000070-108
1400	133	1600	U140	U140	1800	100	210	465	50	25	17	140	LESU14000100-133
1400	159	1600	U140	U140	1800	100	210	480	50	25	17	140	LESU14000100-159
1600	133	1800	U160	U160	2050	100	230	500	60	30	17	170	LESU16000100-133
1600	159	1800	U160	U160	2050	100	230	515	60	30	17	170	LESU16000100-159
1800	133	2x1000	2x L70/70/7	U160	2250	100	250	570	80	30	17	170	LESU18000100-133
1800	159	2x1000	2x L70/70/7	U160	2250	100	250	585	80	30	17	170	LESU18000100-159
2000	133	2x1100	2x L100/65/8	U160	2500	100	250	570	80	30	17	200	LESU20000100-133
2000	159	2x1100	2x L100/65/8	U160	2500	100	250	585	80	30	17	200	LESU20000100-159



GTK spol. s r.o., CZ-68707 Tupesy 116, Czech Republik, Tel.: +420 572 520 880-9, Fax: +420 520 899
e-mail: gtk@gktupesy.cz, www.gktupesy.cz

