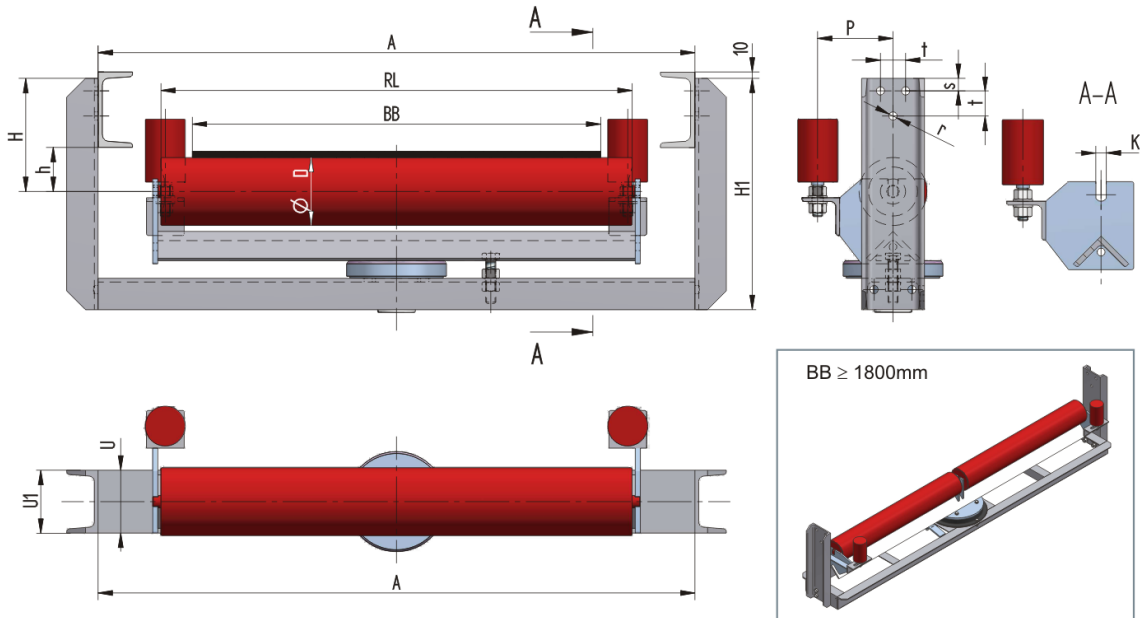




FÖRDERANLAGEN - BELT CONVEYORS GTK PÁSOVÉ DOPRAVNÍKY

GTK, spol s r.o., CZ-687 07 TUPESY 116, okres Uherské Hradiště, Česká republika

Tel.: +420 572 520 880-9, Fax: +420 572 520 899



The weight **m** is given without rollers!

LESU16000100-133

Weight (kg)	0
Belt width BB (mm)	1600
Inclination °	0
Roller length RL (mm)	1800
Hight of roller shaft above the infrastructure h (mm)	100
Bottom base (U)	U160
Dimensions H (mm)	230
Dimensions H1 (mm)	500
Base length A (mm)	2050
Dimension P (mm)	170
Pricipal dimensions s (mm)	30
Pricipal dimensions t (mm)	60
Pricipal dimensions r (mm)	17
Pivot	OTV-40
Guard roller	89x150/M20



GTK spol. s r.o., CZ-68707 Tupesy 116, Czech Republik, Tel.: +420 572 520 880-9, Fax: +420 520 899
e-mail: gtk@gktupesy.cz, www.gktupesy.cz

